

ARM926EJ-S AM1808

Mango1808 Hardware Manual

<http://www.mangoboard.com/>

<http://cafe.naver.com/embeddedcrazyboys>

Crazy Embedded Laboratory

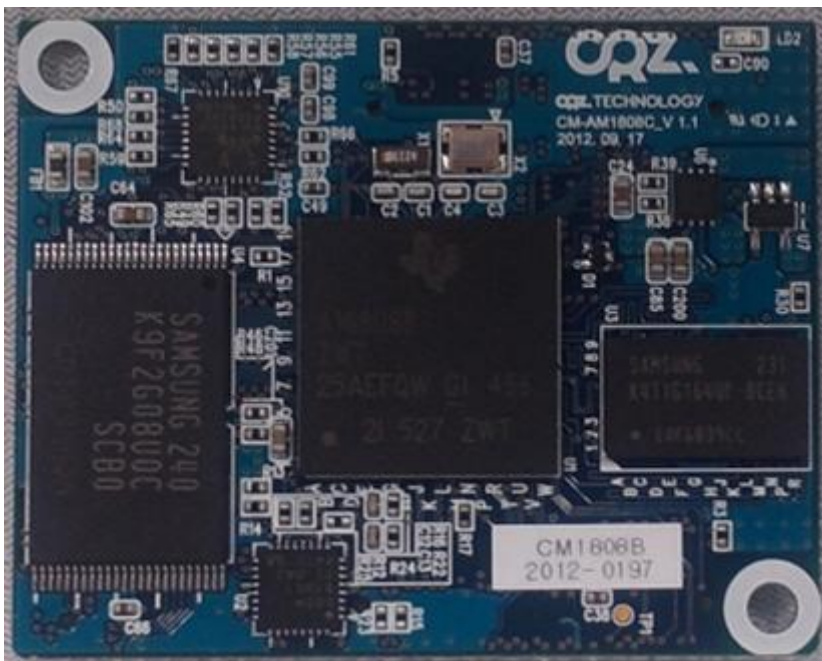
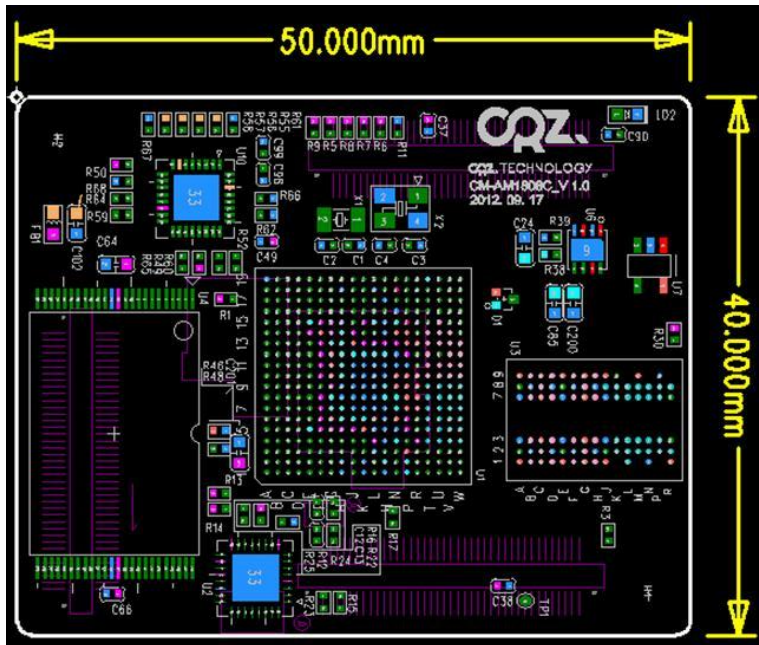
Document History

Revision	Date	Change note

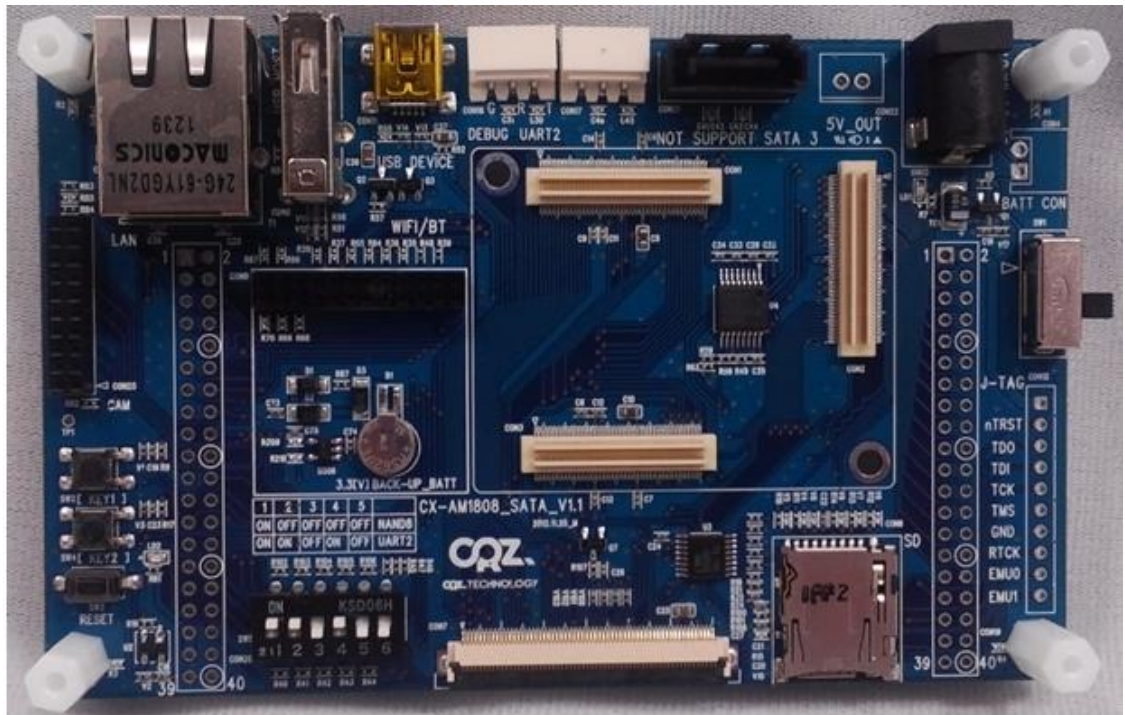
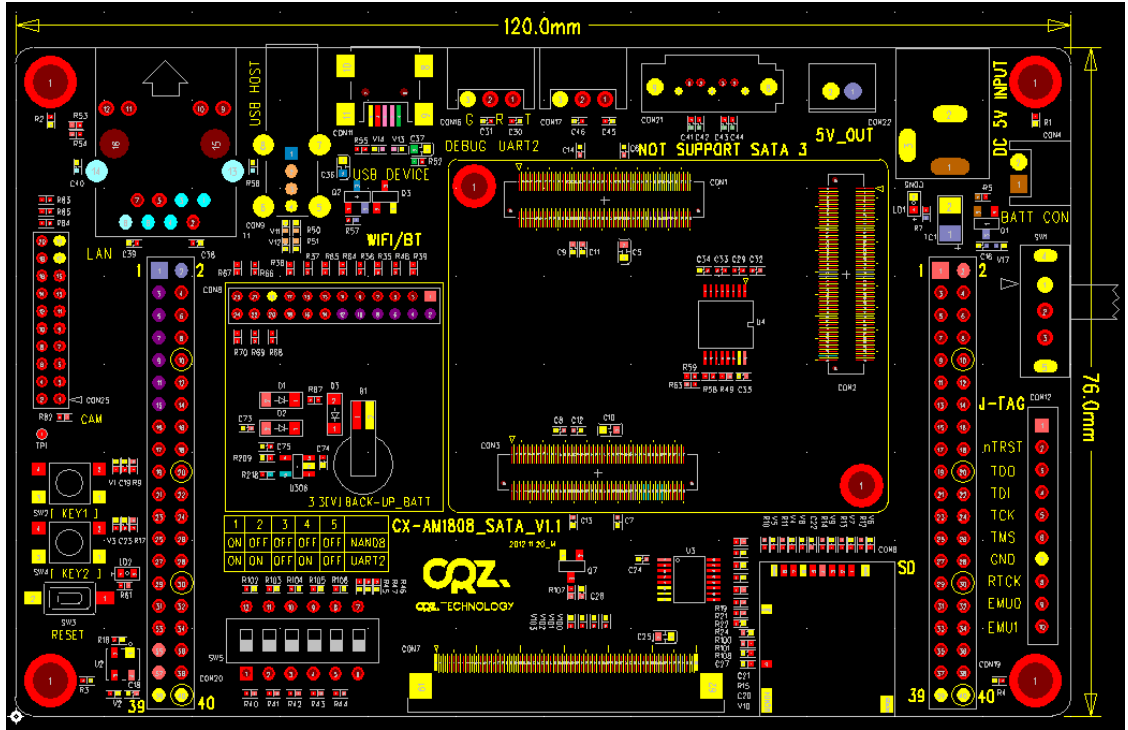
- 1. **Mango1808 Hardware Specification4**
- 2. **BOOT MODE 13**

1. Mango1808 Hardware Specification

< AM1808 CM-AM1808 CPU Module >



Expansion Board(CX-AM1808)

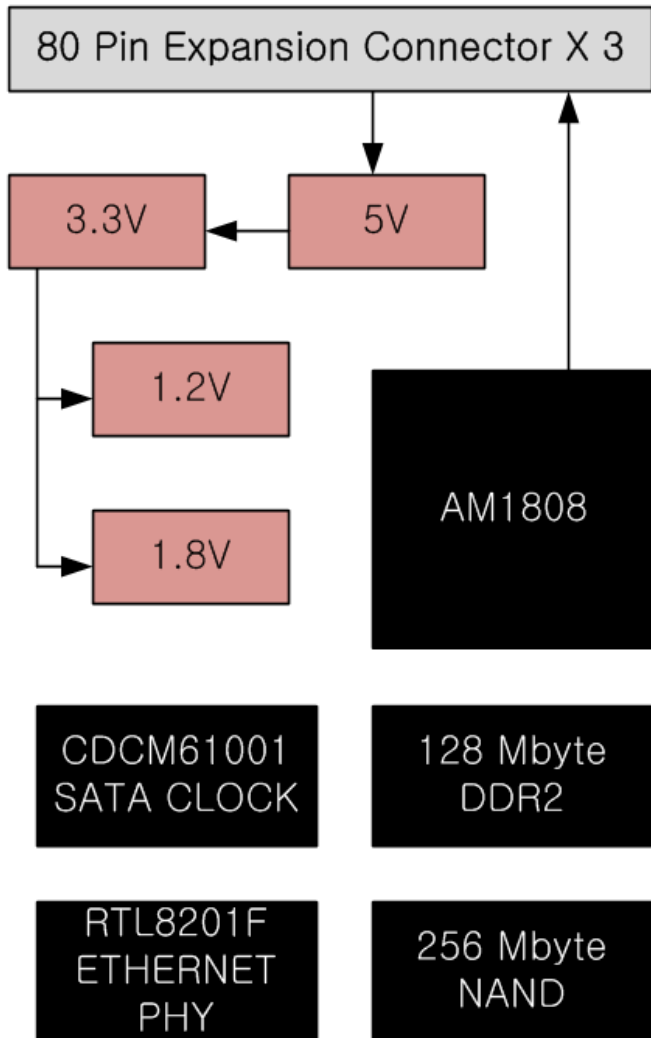


Hardware Specification

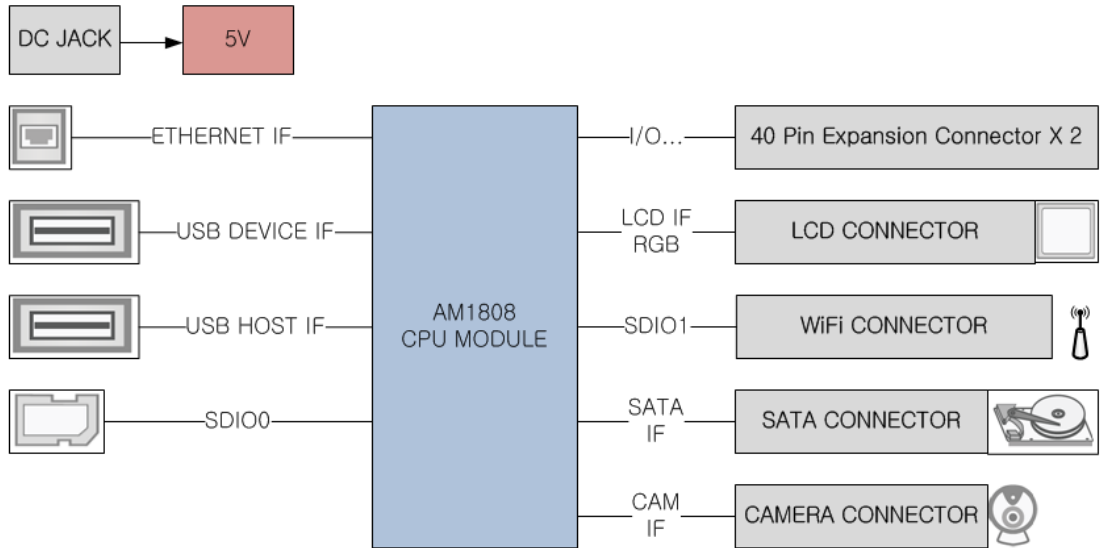
Processor	ARM926EJ AM1808 CPU
RAM	Mobile DDR2 128MB
Flash	SLC NAND Flash 256MB
Display	7" 800x480 with touch or 10.4" 800x600 with touch
USB Host 1.1	1 Port (Full Speed)
USB Device 2.0	1 Port
SD	SD/MMC Port0 SD/MMC Port1 (WiFi/BT)
WiFi/BT	SDIO 1 Channel 802.11B,G,N
Camera	Parallel 1 Port
UART	UART2 (Debug) / UART1
Ethernet	10/100Mps Ethernet
Power	DC-JACK 5V, 1A
Button	Reset :1 , Button : 2
Boot Switch	1
LED indicator	1
Expansion Connector (80x2)	EBI, UART, I2C GPIO etc

Block Diagram

<CM AM1808 CPU Module>

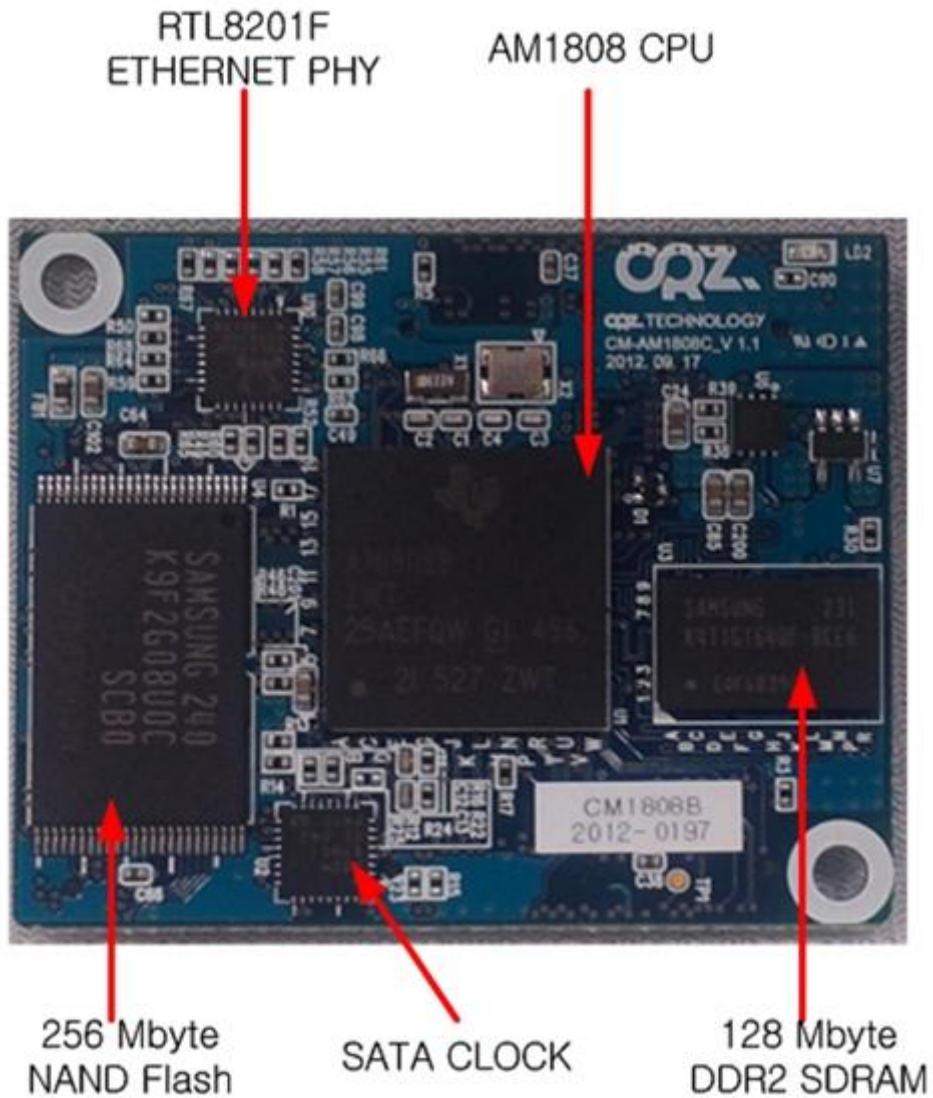


<CM AM1808 Base Board>

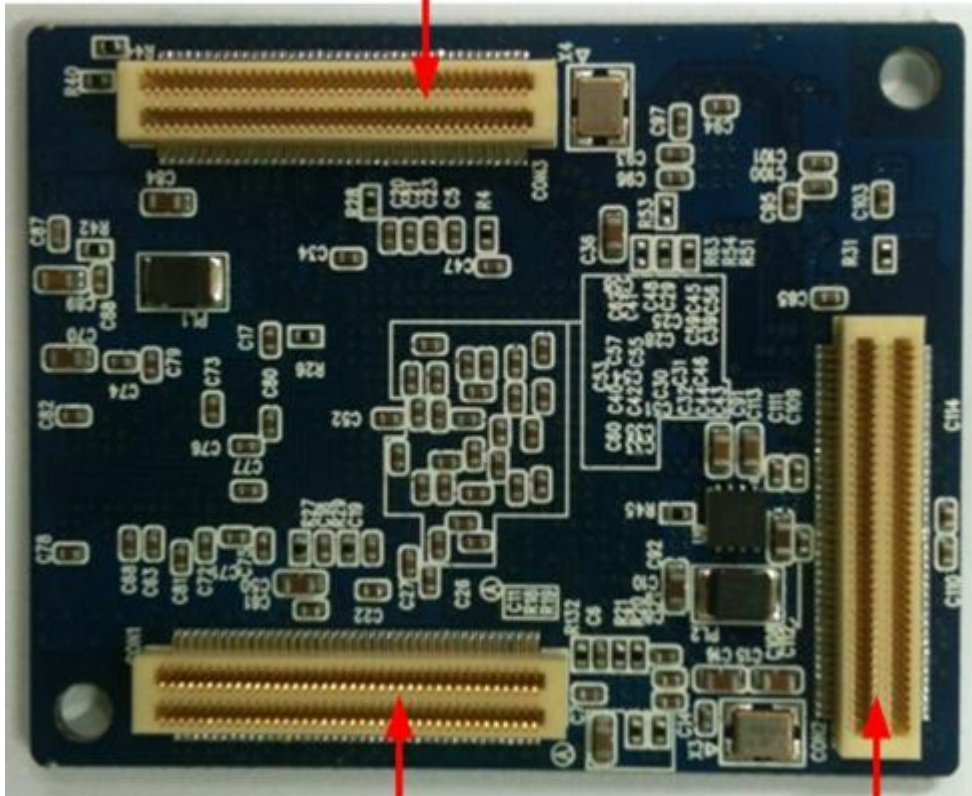


배치도

<CPU Module>

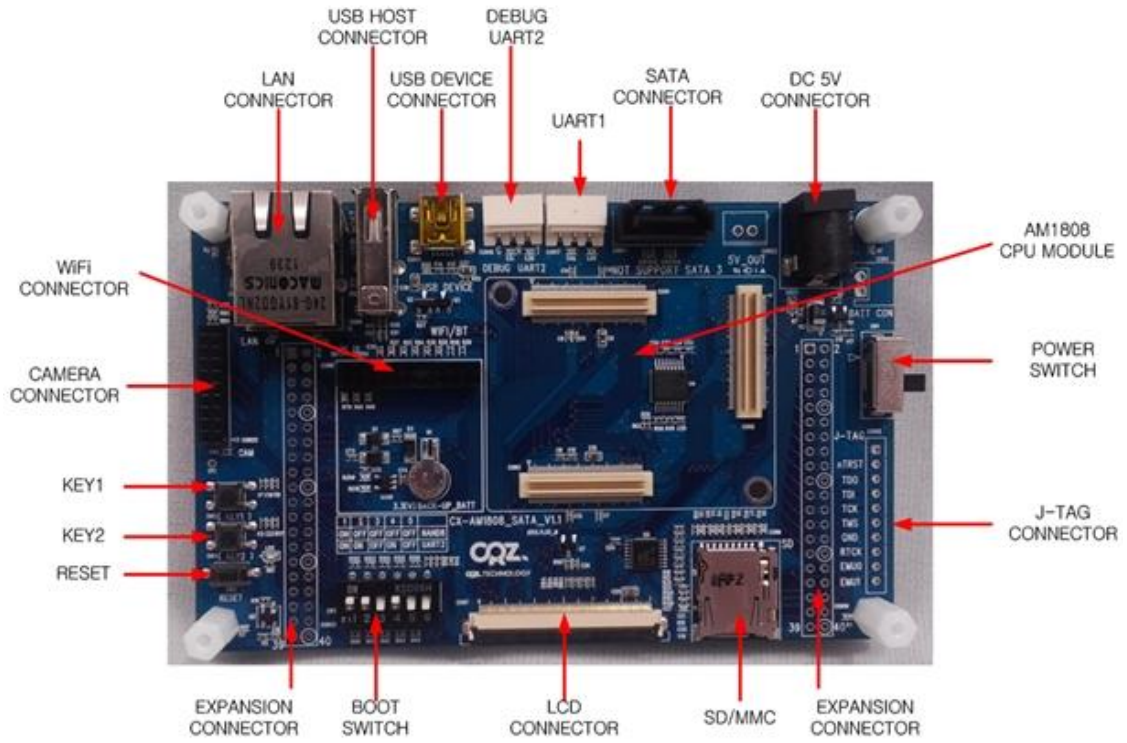


80P CONNECTOR
(CON3)



80P CONNECTOR
(CON1)

80P CONNECTOR
(CON2)



2. BOOT MODE

